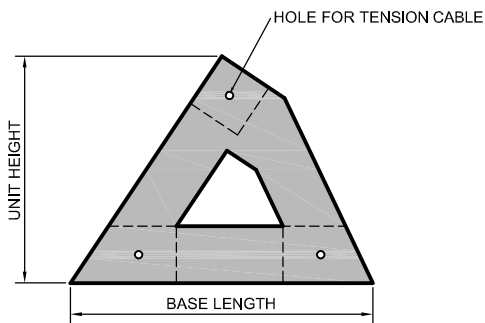
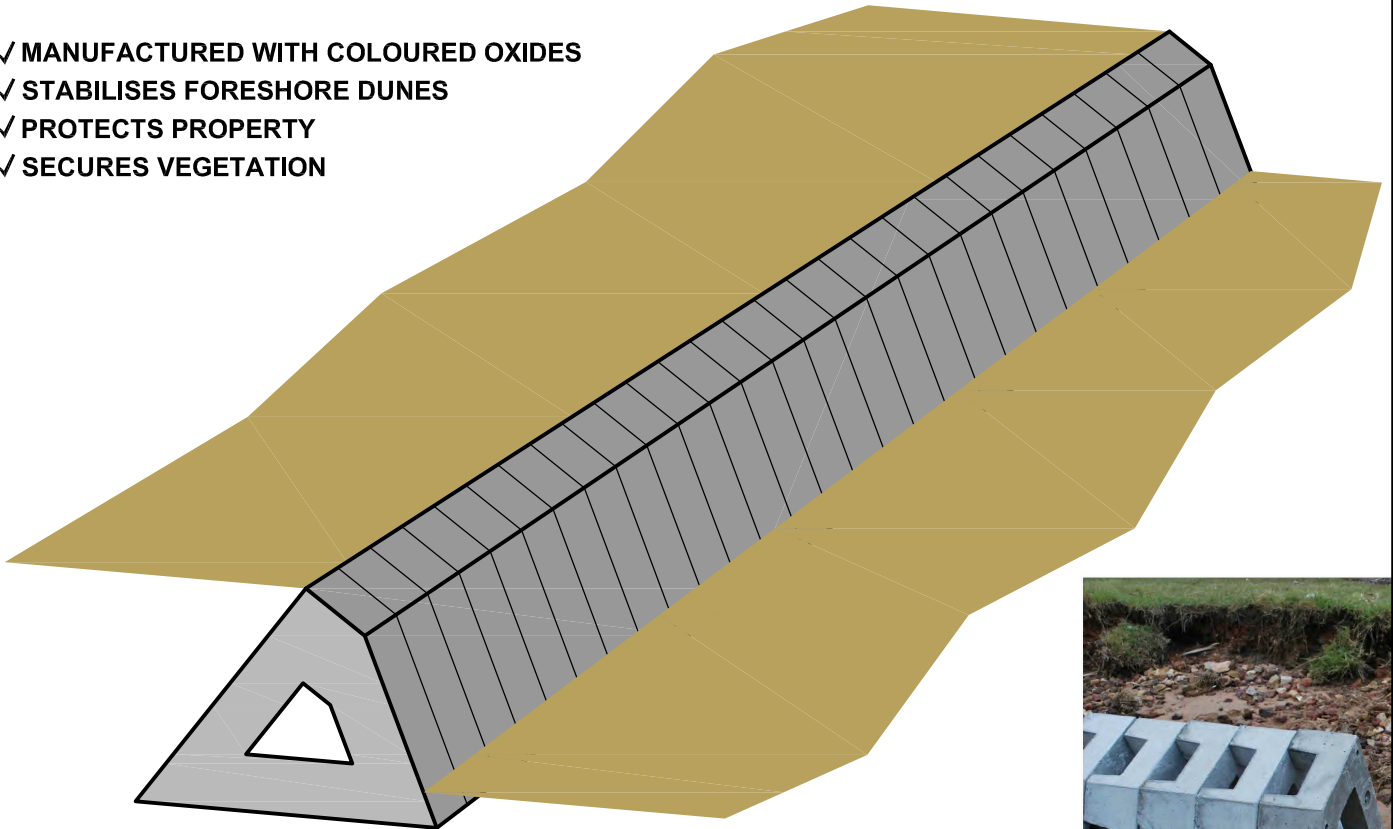


WAVE RACK

FORESHORE PROTECTION SYSTEM

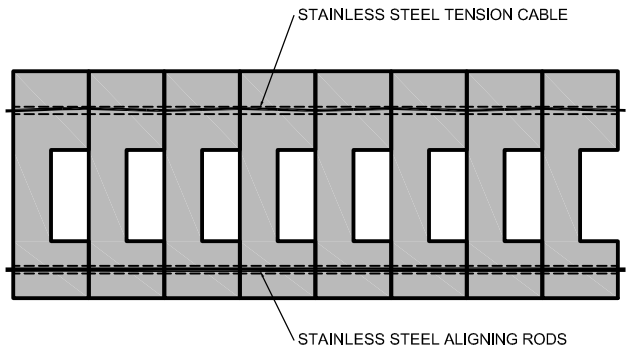
- ✓ MANUFACTURED WITH COLOURED OXIDES
- ✓ STABILISES FORESHORE DUNES
- ✓ PROTECTS PROPERTY
- ✓ SECURES VEGETATION



SIDE VIEW



FRONT VIEW



INSTALLED FRONT VIEW

MODULE DETAILS

SIZING TABLE

MODEL	UNIT HEIGHT	BASE LENGTH	UNITS/ 10m
WR-600	600mm	800mm	50
WR-1000	1000mm	1350mm	33
WR-1500	1500mm	2000mm	20

PATENT PENDING